



## Setup Instructions

# pH Flow Cell

Part Number 11100001

The pH Flow Cell requires some assembly.

There are four parts: the base, the O-ring, the pH sensor, and the securing nut.

When unpacking and storing the pH sensor, refer to the manufacturer's instructions provided with the pH sensor.

**NOTE**

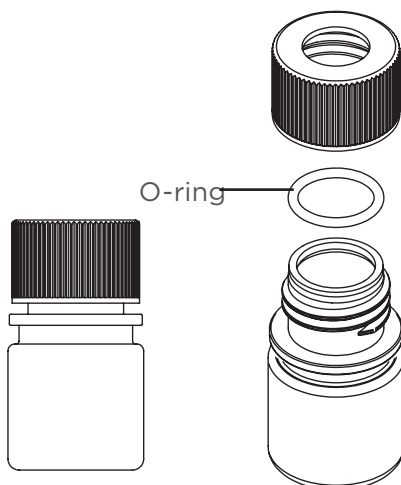
The O-ring provided in the soaker bottle with the pH sensor is not required for this setup and should remain in the soaker bottle cap for future storage of the pH sensor.

After unpacking the items, do the following:

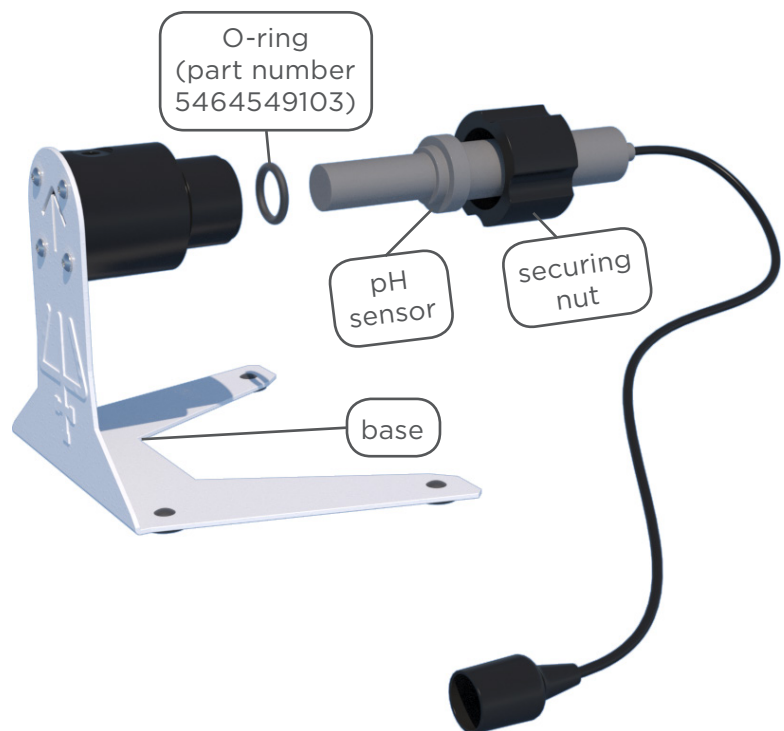
1. Place the O-ring on the black (thinner) end of the pH sensor.
2. Insert the black end of the pH sensor with O-ring into the base.
3. Pass the end of the pH sensor cable through the securing nut.
4. Hand-tighten the securing nut to the base.

**NOTICE**

Do not use tools.  
Do not overtighten.



**Figure 2**  
Soaker Bottle



**Figure 1**  
pH Flow Cell (Exploded View)